

EYE

SCONCES



Technical data

Dimensions _____ 280 x 116 x 280 mm

Weight _____ 3 kg

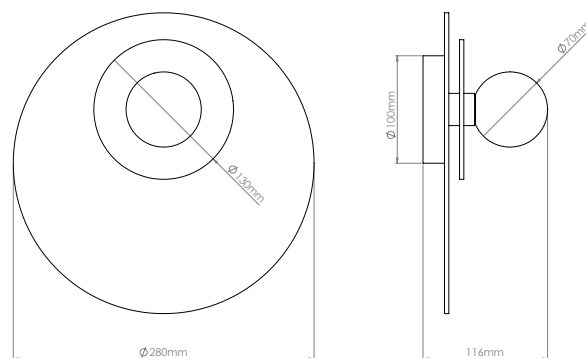
Light source (included) _____ G9 LED 2700K 2,5W

IP Rating _____ IP20 Indoor use only

Materials

Metal/Opal Glass

Technical drawing



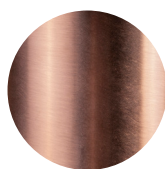
Finish options



Brushed brass



Tobacco



Antique copper



On request*